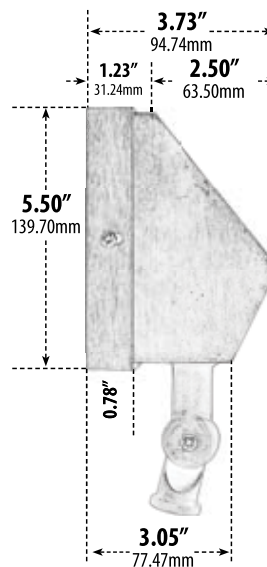
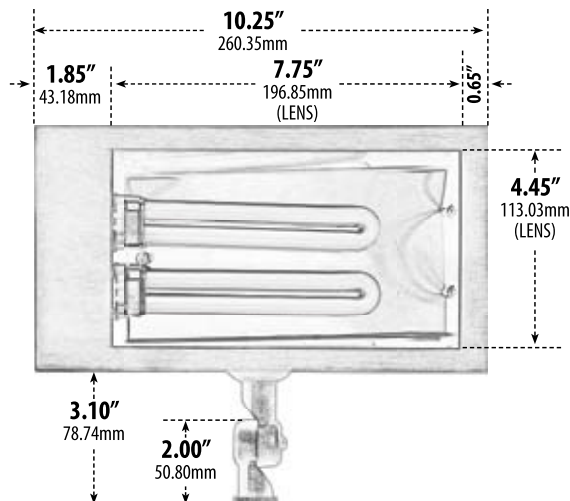


DF5650

AREA FLOOD LIGHT



- ▶ **Material:** Powder Coated Brass
- ▶ **Lens:** Clear Acrylic Lens
- ▶ **Lamp:** PL13 2-Pin

MODEL NUMBER	LAMP TYPE	ILLUMINANT TYPE	WATTS (W)	VOLTS (V)	LAMP(S) INCLUDED?
DF5650	2 x PL13	FLUORESCENT	26	120	YES
DF-LED5650	2 x PL-LED	LED	10	85-264	YES

- ▶ **Adjustable Knuckle with 1/2" NPT**
- ▶ **Ground Mounting Spikes:** LV-S6 (sold separately)
- ▶ **Available Color:** Black, White, Verde Green
- ▶ **ETL Approved**

Maximum Height: 9.00"
 Minimum Height: 6.00"
 Width: 10.25"
 Maximum Depth: 8.50"
 Minimum Depth: 4.00"
 Box Dimensions:
 4.38"W x 10.38"H x 7.25"D



DABMAR LIGHTING INCORPORATED

2140 Eastman Ave . Oxnard, CA 93030 . 805.604.9090 . f: 805.604.9050 . www.dabmar.com