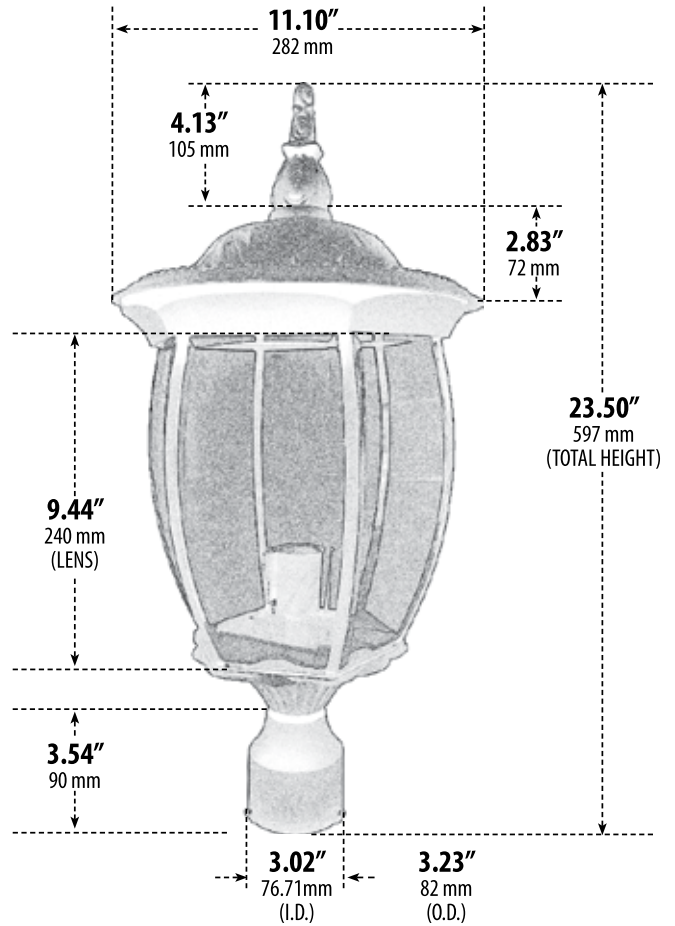


GM102

POST TOP



- ▶ **Material:** Powder Coated Cast Aluminum
- ▶ **Lens:** Clear, Heat Resistant, Tempered Beveled Glass
- ▶ **Available Finish:** Black, White, Verde Green
- ▶ **ETL Approved**

MODEL NUMBER	LAMP TYPE	ILLUMINANT TYPE	WATTS (W)	VOLTS (V)	LAMP(S) INCLUDED?
GM102**	A-Type	Incandescent	60	120	NO
GM102-13	S13-GU24	Fluorescent	13	120	YES
GM102-26	S26-GU24	Fluorescent	26	120	YES

**AVAILABLE IN 11W LED Add -LED11 to Model Number
 **AVAILABLE IN 20W LED Add -LED20 to Model Number

Overall Dimensions:
 23.38"H x 11.13"W x 11.13"D

Maximum Height: 23.38"
 Width: 11.13"
 Maximum Depth: 11.13"

Weight: 6.0 lbs
 Box Dimensions:
 18.25"H x 12.00"W x 11.75"D

DABMAR
 LIGHTING

DABMAR LIGHTING INCORPORATED

2140 Eastman Ave . Oxnard, CA 93030 . 805.604.9090 . f: 805.604.9050 . www.dabmar.com