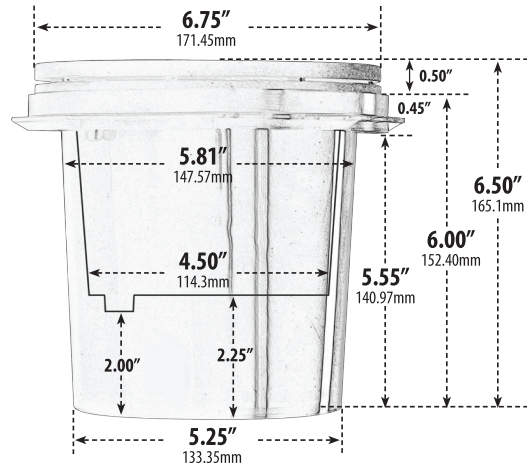
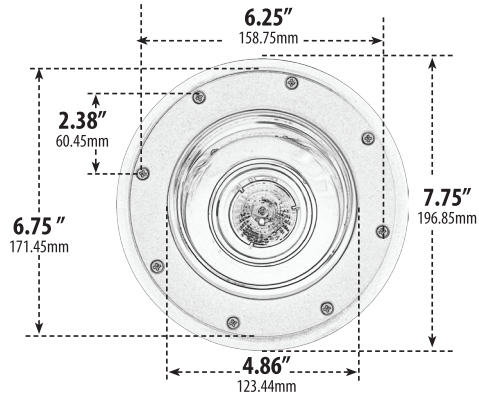


LV306-MR

ADJUSTABLE IN-GROUND WELL LIGHT



- ▶ **Material:** Powder Coated Cast Aluminum with PVC Sleeve
- ▶ **Lens:** Clear, Heat Resistant, Tempered Glass
- ▶ **Lamp:** MR16 Bi-Pin Base (50W Maximum)

MODEL NUMBER	LAMP TYPE	ILLUMINANT TYPE	WATTS (W)	VOLTS (V)	LAMP(S) INCLUDED?
LV306-MR	MR16	HALOGEN	20	12	YES
LV-LED306-MR	MR16-LED	3 LEDs	3	12	YES

Pre-wired with UL Listed Direct Burial Wire/Cable

- ▶ **Available Finish:** Black, Bronze, Green, Verde Green, Electroplated Stainless Steel
- ▶ **ETL Approved**

Overall Dimensions:
6.50"H x 7.75"W x 7.75"D

Weight: 3.0 lbs
Approximate Wire Length: 16"
Box Dimensions:
7.00"H x 7.75"W x 7.75"D



DABMAR LIGHTING INCORPORATED

2140 Eastman Ave . Oxnard, CA 93030 . 805.604.9090 . f: 805.604.9050 . www.dabmar.com